

**CODE NUMBER**

4021040

**DESCRIPTION**

Polished Chrome Finish, SH-14 Vandal Proof Ball Joint, Act-O-Matic® Standard Showerhead.

**DETAILS**

- Finish: Polished Chrome (CP)
- Flow Rate: 2.0 gpm (8 Lpm) (2.0GPM)
- Self-Cleaning: Yes
- Special Features: SH-14 Vandal Proof Ball Joint (SH14-VP)

**FEATURES**

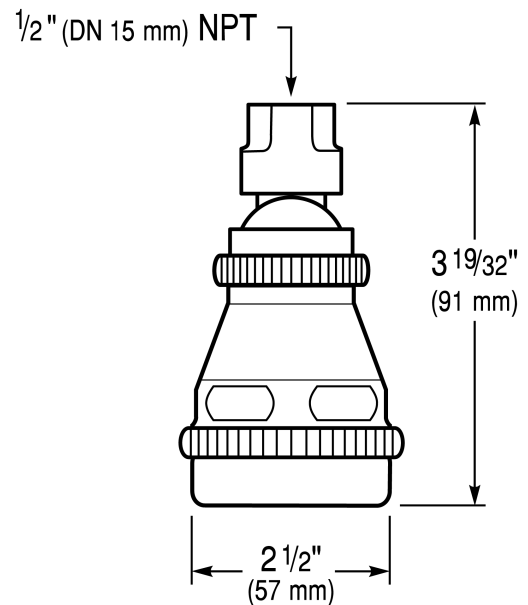
Act-O-Matic, Chrome Plated Shower Head with the following features:

- Spring loaded, Self-cleaning Spray Disk to prevent particle clogging
- Saves up to 20% or more water depending on length of shower
- “Cone-within-a-cone” Spray Pattern for total body coverage
- Pressure Compensating 2.0 gpm (7.5 Lpm) Flow Control
- All Brass Construction
- Universal Ball Joint
- 1/2” I.P.S. Inlet
- Fast drain feature to prevent residual slow dripping

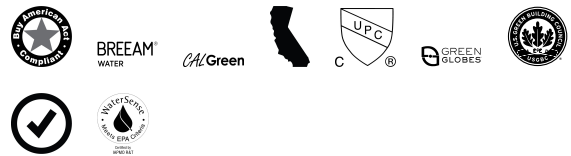
Shower Head shall be in conformance to all requirements of ANSI/ASME Standard A112.18.1M, CSA B-125 and the United States Federal Energy Policy Act.

**DOWNLOADS**

- [Showerhead Parts and Accessories Repair and Maintenance Guide](#)
- [Additional Downloads](#)



**COMPLIANCES & CERTIFICATIONS**



(BAA Compliant, BREEAM Water Credit, CalGreen Compliant, CEC Compliant, cUPC Certified, Green Globes Water Credit, LEED V4 Water Efficiency Credit, Satisfies LEED Credits, WaterSense Listed)

**RECOMMENDED SPECIFICATION**

Sloan Act-O-Matic Showerhead model no. AC-51 2.0 gpm. Chrome Plated.

**NOTES**

All information contained within this document subject to change without notice.